

Product information

Dosing in the lab, easy and functional. · LiquiDoS



Description

LiquiDoS® is the comfortable and versatile dosing system for analysis, research and development. The compact system with its equipment components is configured according to customer requirements and delivered ready-to-use (ready for operation). The comfortable, intuitive graphical user interface enables easy programming, reproducible results and a fast change between manual and automated dosing tasks.

Advantages

- Smallest volume 0.25 µl
- Flow from 1.5 µl/min up to 72 ml/min
- Precise dosing in the microliter and milliliter range
- Self-priming micro pump
- Operation via touch screen
- External start signal
- Gentle, bubble-free dosing
- Low-shear dosing of the medium
- Short fluid connections, optimal dead volume
- Media-resistant material combinations
- Easy emptying and rinsing
- Fast change of media
- Effective use of reagents
- Cost and time saving

Applications

- Instrumental analytics
- Micro-reaction technology
- Biotechnology
- Diagnostic
- Analyses in the Life Science sector
- Laboratory Automation

Technical data	
Flow rate	pump-specific 0,015 - 72 * ml/min
Smallest dosage volume	0.25 µl
Differential pressure range	pump- and valve-specific 0 – 5 bar *
Maximum inlet pressure	1 bar
Operating temperature range	-20 ... +60 °C
Viscosity range	0.3 ... 100 mPas
Internal volume	450 µl
Fluid connection	1/4"–28 UNF
Filter	mesh wire filter with screw thread mesh size 10 µm, filter area 1.3 cm ²
Valve	2/2-, 3/2-way valve NC or without valve *, pressure range 0 – 3 bar, power supply 24 V DC, power input 1 W
Wetted parts	filter: stainless steel 1.4404; static seals: FPM, optional: FFPM, EPDM; manifold: stainless steel 1.4404; valve: PEEK™, FFKM, PES; EPDM, FKM
Operation	Touch Display 4.3"
Pump connector (just Type H)	8-pole socket (DIN 45326)
Motion Controller (just Type N)	integrated 16-Bit microcontroller
Power supply connection	24 V DC, 3-pole socket
Analog interface	0 – 10 V, 5-pole socket
Digital outputs	Open Collector, 24 V, 0,5 A
Power supply	Power adapter 100 – 240 V AC / 24 V D/3 A
Dimensions (L x W x H)	252 x 170 x 137 mm
Weight	approx. 2100 g
Remarks	* depending on the respective configuration. Customized solutions on request.

Notice

Even if single parameters are within the indicated performance range of technical data, certain parameter combinations may not be achievable. Single parameters may exceed their indicated performance range under adequate circumstances. For detailed evaluation please contact HNP Mikrosysteme. Actual performance may vary. Specifications are subject to change without notice.

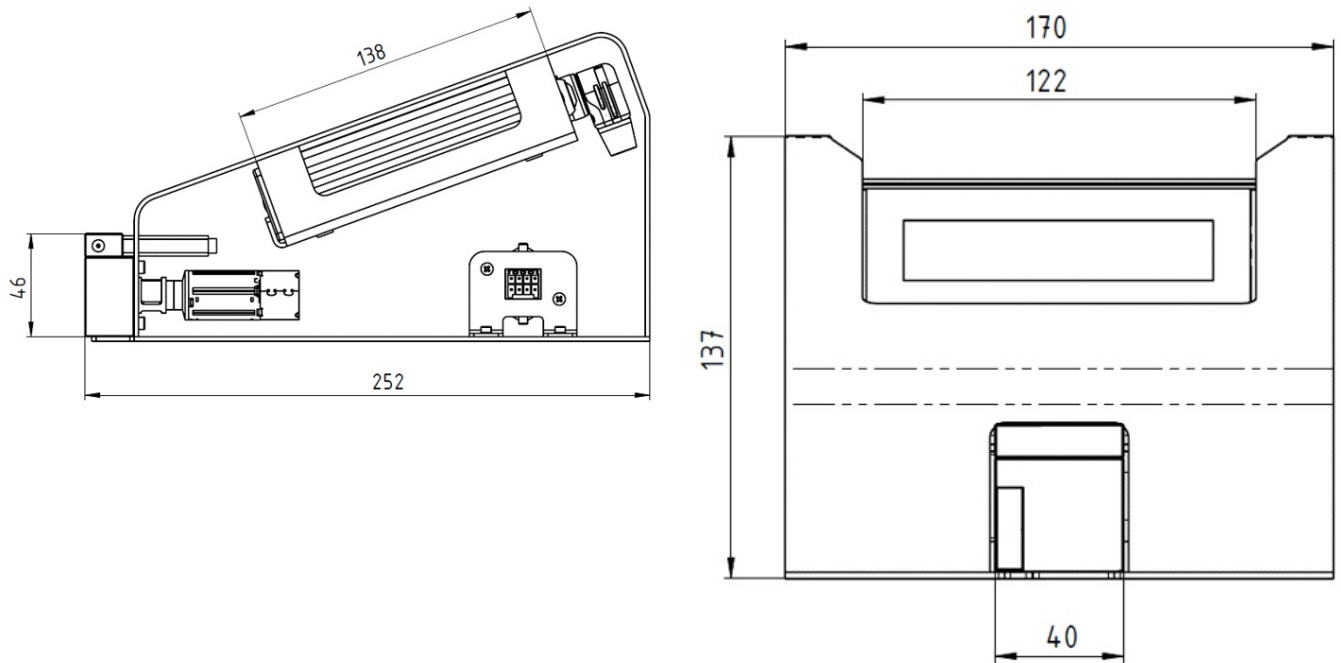
Accessories

- Filter-pump-valve functional module F-P-V
- m zr-Touch Control

Typical liquids

- Organic and inorganic solvents
- Aqueous solutions
- Nutrient solution
- Low viscosity oils
- Buffer solutions

Dimensions



Patents and trademarks

Micro annular gear pumps (and housings) are protected by assigned patents: EP 1 354 135 B1; US 7,698,818 B2; DE 10 2011 001 041 B4; CN 103 348 141 B; US 10,012,220 B2; CN 103 732 921 B; US 9,404,492 B2; US 6,520,757 B1.

HNP M®, mzi®, MoDoS®, µ-Clamp®, µDispense®, Centifluidic Technologies®, LiquiDoS®, smartDoS®, colorDoS® are registered German trademarks of HNP Mikrosysteme GmbH.

Contact

HNP Mikrosysteme GmbH
Bleicherufer 25
19053 Schwerin
Germany

T +49 385 52190-300
F +49 385 52190-333
sales@hnp-mikrosysteme.de

Last update 2020/10